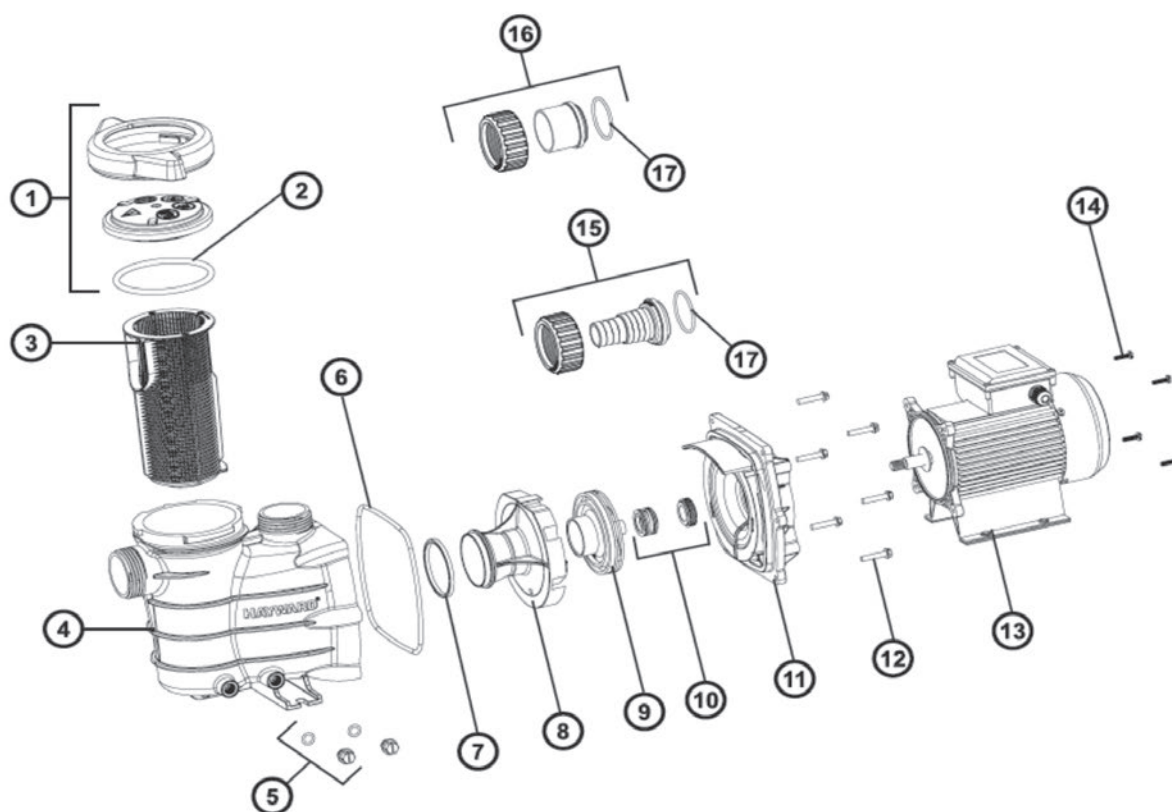


BOMBA START PUMP

REV062019



REF QP:	POTENCIA
500674.....	0,25HP
500675.....	0,33HP
500676.....	0,50HP
500677.....	0,75HP
500678.....	1HP
500679.....	1,5HP

BOMBA START PUMP. REV062019

PIEZA Nº	DESCRIPCIÓN	COD.	COD. PROVEEDOR	TARIFA INDUSTRIAL €
1	TAPA PREFILTRO (INCLUYE JUNTA) START PUMP	SPX8100LDS	SPX8100LDS	
2	JUNTA PREFILTRO START PUMP	SPX8100S	SPX8100S	
3	CESTILLO PREFILTRO START PUMP	SPX8100M	SPX8100M	
4	CUERPO BOMBA START PUMP	SPX8100AA	SPX8100AA	
5	TAPON DE VACIADO START PUMP	SPX1700FG	SPX1700FG	
6	JUNTA CUERPO INTERMEDIO START PUMP	GMX0600F	GMX0600F	
7	JUNTA DEL DIFUSOR START PUMP	SPX8100R	SPX8100R	
8	DIFUSOR START PUMP	SPX8100B	SPX8100B	
9	TURBINA 0,25HP START PUMP	SPX8118T	SPX8118T	
9	TURBINA 0,33HP START PUMP	SPX8125T	SPX8125T	
9	TURBINA 0,50HP START PUMP	SPX8137T	SPX8137T	
9	TURBINA 0,75HP START PUMP	SPX8155T	SPX8155T	
9	TURBINA 1HP START PUMP	SPX8175T	SPX8175T	
9	TURBINA 1,5HP START PUMP	SPX81110T	SPX81110T	
10	SELLO MECANICO START PUMP	SPX1600Z2	SPX1600Z2	
11	PLATO CIERRE CUERPO INTERMEDIO START PUMP	SPX8100E	SPX8100E	
12	TORNILLO HEXAGONAL START PUMP	6060XZ1	6060XZ1	
13	MOTOR 0,25HP START PUMP	SPX81018Z1C	SPX81018Z1C	
13	MOTOR 0,33HP START PUMP	SPX81025Z1C	SPX81025Z1C	
13	MOTOR 0,50HP START PUMP	SPX81037Z1C	SPX81037Z1C	
13	MOTOR 0,75HP START PUMP	SPX81055Z1C	SPX81055Z1C	
13	MOTOR 1HP START PUMP	SPX81075Z1C	SPX81075Z1C	
13	MOTOR 1,5HP START PUMP	SPX81110Z1C	SPX81110Z1C	
14	TORNILLO START PUMP	-	SPX8100Z1	
15	RACORD CONEXIÓN 32/38 mm START PUMP	SPX8100UNBP	SPX8100UNBPAK	
16	RACORD CONEXIÓN 50 mm START PUMP	SPX8100UNSP	SPX8100UNSPAK	
17	JUNTA TORICA START PUMP	-	SPX81001	